



Snap-In Air Sensor

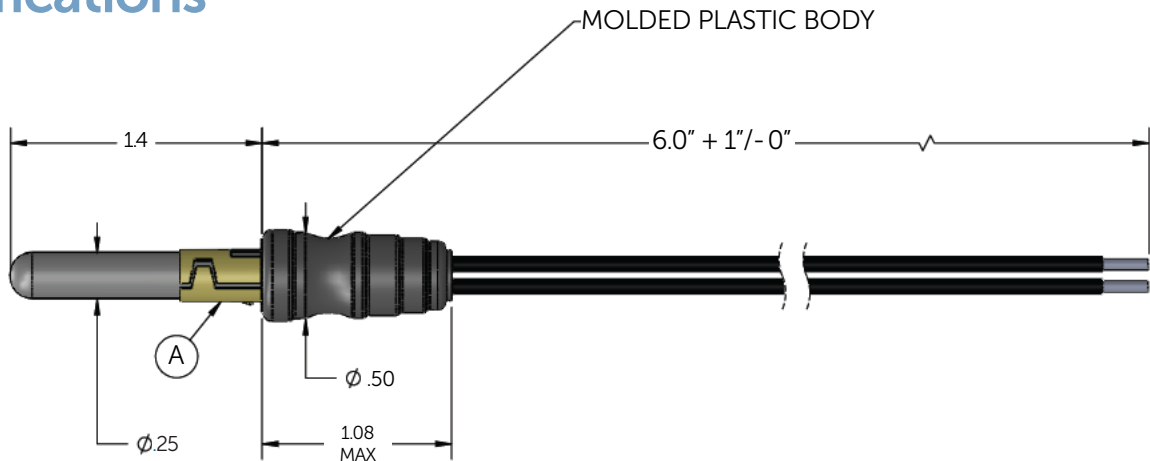
The unique clip on QTI's snap-in air temperature sensor provides increased sensor accuracy and easy installation. The combination of the sensing element's position in the probe tip and the clip holding the sensor securely in the air stream ensures that the air temperature, not the plenum temperature, is accurately measured. The overmold on the back of the sensor eases installation, provides a strain relief for the leads, and minimizes any environmental temperature effects on the sensor.

QTI can customize the snap-in air sensor in a variety of ways. Sensor resistance values and accuracy as well as cable length and connector type are all able to be specified.

Features:

- Incorporated snap-in clip reduces installation time and expense, and increases sensor accuracy
- Available in many common thermistor curves and resistances
- Fast thermal response
- RoHS compliant

Snap-In Air Sensor Specifications



Temperature Range

0°C to 80°C (32°F to 176°F)

Standard Cable Lengths

6"

Resistance Values at 25°C

2k, 5k, 10k, 50k, 100k and more

Accuracy

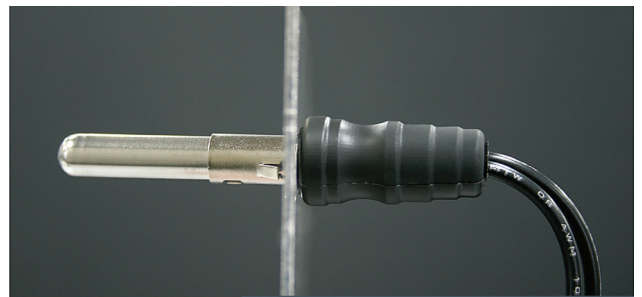
Point matched (+/- 1%, 2%, 5% or 10%)
or interchangeable (+/- 0.2°C from 0°C to 70°C)

Installation Specifications

Recommended pre-drilled hole size: 0.30"
Recommended sheet metal: 14 to 18 gauge

Curves

Any industry standard plus custom curve capability



Applications Include:

- Air temperature sensing in HVAC applications (plenums, blowing housings, heat pumps)



QTI is the unparalleled leader in world-class temperature sensing technology with over for 40 years of proven expertise for the most demanding customers in the world. We custom-engineer the industry's most reliable temperature sensors for mission-critical applications. As a true business partner, we deliver beyond the products we make as we relentlessly pursue excellence in everything we do. Contact us to discuss your temperature sensing needs today.

2108 Century Way, Boise, Idaho 83709 USA | T: (208) 377-3373, 800-554-4784 | F: (208) 376-4754 | qtisales@ctscorp.com | www.qtisensing.com